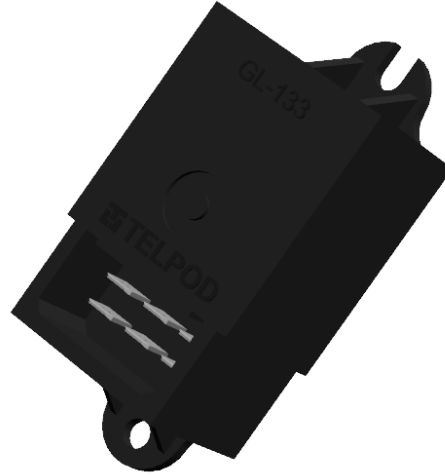


GL-133 series

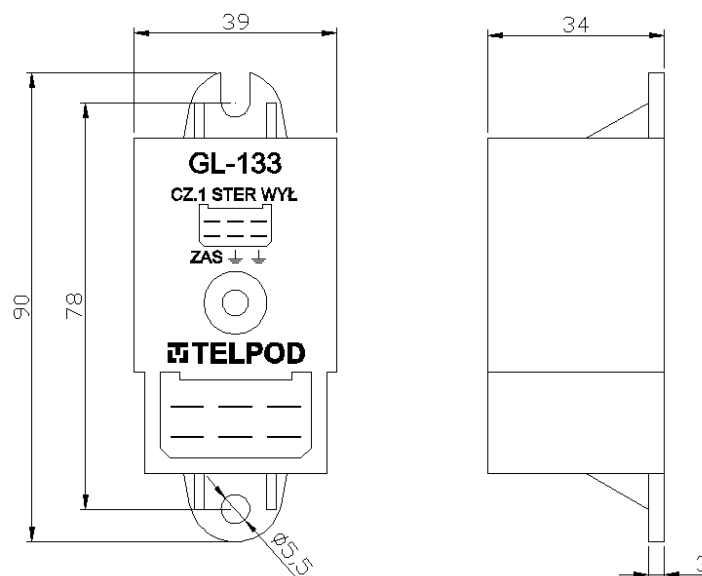
Characteristic

GL-133 series electronic ignition module is used in single-cylinder two stroke engines such as mopeds or lawn mowers. Ignition spark is generated in a high voltage coil coupled with the magneto system. The ignition module itself has a role of an electronic breaker. Application of this module provides an equal spark energy in the entire engine speed range.



Parameter	Value
Supply voltage amplitude	300 ... 400 V
Trigger impulse minimum amplitude	1,5 V
Range of engine speed	max 9000 RPM
Storage temperature	-40 ... 85 °C
Climatic category	25/085/10

Dimensions



TELPOD S.A.

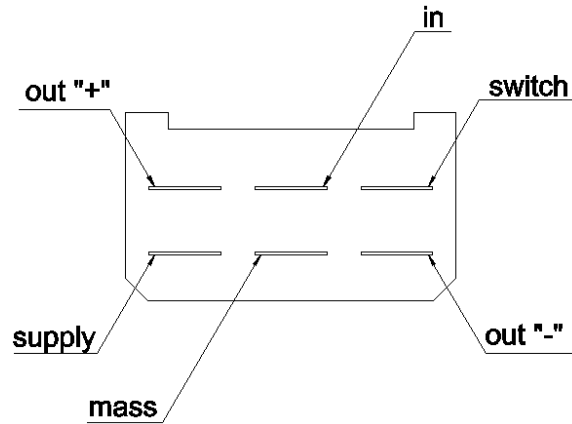
str. Pilsudskiego 63A
32-050 Skawina
www.telpod.pl

Technical division: +48 (0)12 257 10 12
Sales division: +48 (0)12 257 10 35
fax: +48 (0)12 257 10 13
e-mail: thickfilm@telpod.pl

date: 04 / 2015
Copyright 2015 by **Telpod**

GL-133 series

Terminal description



Connection method

